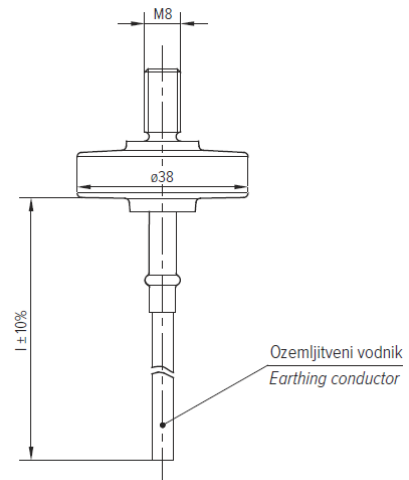


IZOELEKTRO

NNO 10/280

Name	Low voltage metal oxide surge arrester NNO
Product	NNO is a low voltage metal oxide surge arresters with silicone coating. They are designed to be installed in LV power lines or in junction boxes up to 1 kV as the first level of protection against direct lightning strikes
Code (l = 0,5 m)	20 60 50
Characteristics	The disconnecting device reacts after a certain number of strokes when in normal operation the current through the surge arrester increases over 1 mA or in case of atmospheric discharge (current bigger than 65 kA).
Installation	The position for installing NNO and MOSIPO surge arresters is decided by directives and technical regulations. They must be installed: <ul style="list-style-type: none"> - on all branches and ends of low voltage overhead power lines, - at a maximum mutual distance up to 1000 m, - at a distance smaller than 500 m, where storms occur more often, - in all passages from free conductors to cables and vice versa.



Technical specification

General data

Response time:	$t_A < 25 \text{ ns}$
Ambient temperature range:	$T = -40^\circ\text{C} \dots +85^\circ\text{C}$
Ingress protection level:	IP 67
Coat:	silicone LSR
Silicone colour:	grey
Tested according to standard:	IEC 61643-1 and IEC 61643-11
IEC class:	II
Earthing conductor	H07V-K

Technical characteristics

U_c (AC/DC)	280/350 V
U_p	$< 1,10 \text{ kV}$
W	2450 J
Weight (l = 0,5 m)	0,0608 kg
Weight (l = 1,0 m)	0,0967 kg

Packaging

Support

The position for installing NNO and MOSIPO surge arresters is decided by directives and technical regulations. They must be installed:

- on all branches and ends of low voltage overhead power lines,
- at a maximum mutual distance up to 1000 m,
- at a distance smaller than 500 m, where storms occur more often,
- in all passages from free conductors to cables and vice versa.